



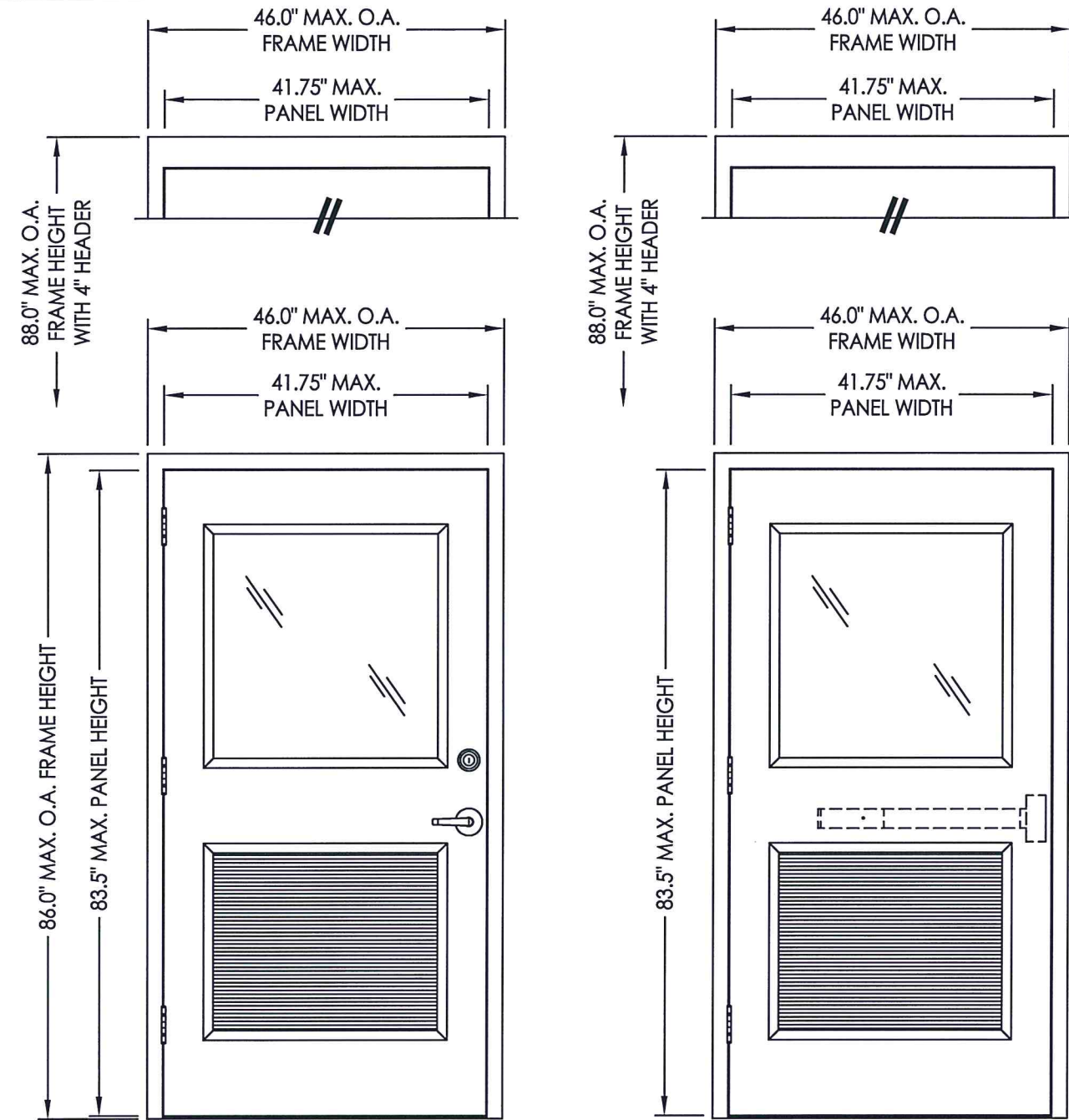
## "D" SERIES SINGLE DOOR 1/2 LITE - 1/2 LOUVER "NON-IMPACT" OUTSWING

### GENERAL NOTES

1. This product has been evaluated and is in compliance with the 7th Edition (2020) Florida Building Code (FBC) structural requirements excluding the "High Velocity Hurricane Zone" (HVHZ).
2. Product anchors shall be as listed and spaced as shown on details. Anchor embedment to base material shall be beyond wall dressing or stucco.
3. When used in areas requiring wind borne debris protection this product is required to be protected with an impact resistant covering that complies with FBC Sections 1609.1.2 & R301.2.1.2.
4. The "D" door achieves a Class I stiffness classification per Section 8.2.2 of ANSI A250.13 (based on opaque door).
5. Site conditions that deviate from the details of this drawing require further engineering analysis by a licensed engineer or registered architect.

**TABLE OF CONTENTS**

SHEET #	DESCRIPTION
1	Typical elevation, design pressures & general notes
2	Door panel details
3	Horizontal cross sections
4	Horizontal cross sections
5	Horizontal cross sections
6	Vertical cross sections
7	Buck and frame anchoring
8	Anchoring details
9	Components
10	Bill of materials and components



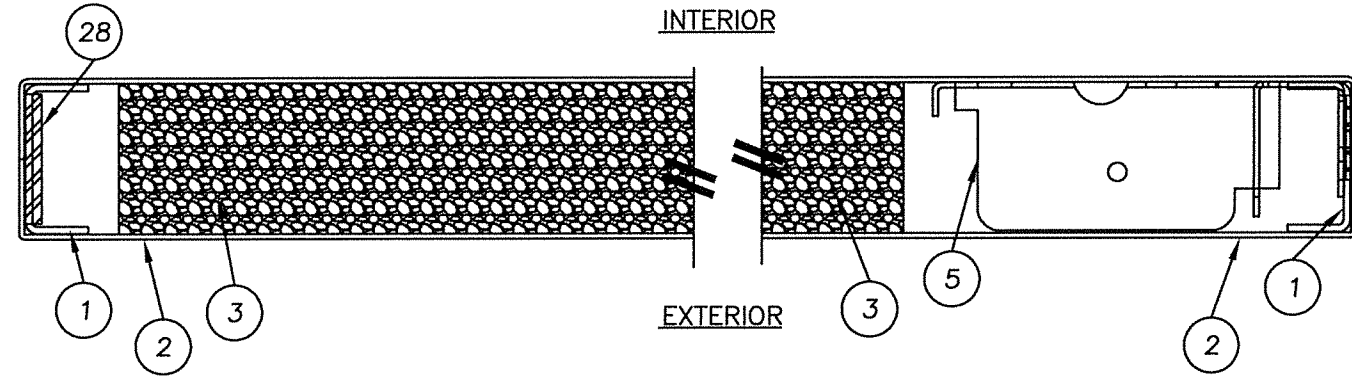
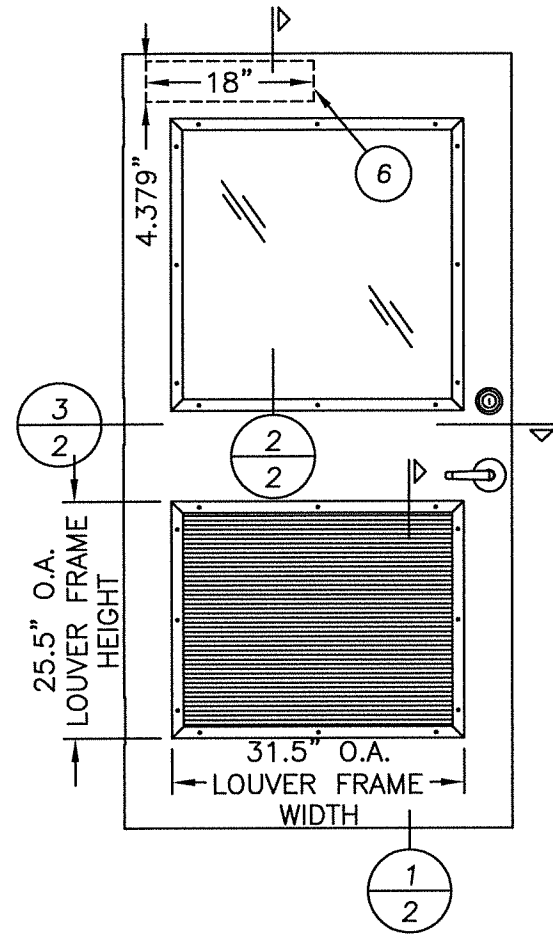
FRAME TYPE	OVERALL FRAME DIMENSION	MAX D.L.O DIMENSION	GLASS TYPE	LOCK TYPE	DESIGN PRESSURE (PSF)	
					POSITIVE	NEGATIVE
2" HEAD	46.0" x 86.0"	29.0" X 29.0"	G1	LATCH & DEADBOLT (DESIGN HARDWARE) OR PANIC EXIT DEVICE (VON DUPRIN)	+40.0	-40.0
4" HEAD	46.0" x 88.0"					

November 15, 2022  
Documents Prepared By:  
Lyndon F. Schmidt  
P.E. No. 43409

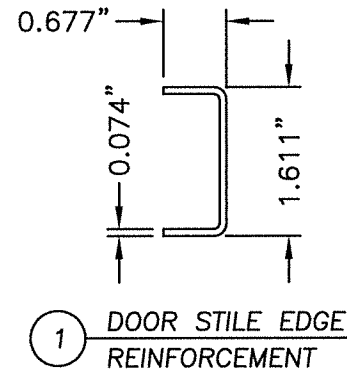
**R.W. BUILDING CONSULTANTS, INC.**  
P.O. Box 230, Valrico, FL 33595  
Phone No.: 813.659.9197  
FBPE Registry No. 9813

PRODUCT: PREMIER PRODUCTS, INC. "D" PANELS "NON-IMPACT"	PART OR ASSEMBLY: TYPICAL ELEVATIONS, DESIGN PRESSURES & GENERAL NOTES
NO. DATE	REVISIONS
DATE: 11/10/22 SCALE: N.T.S. DWG. BY: LFS CHK. BY: RW DRAWING NO.: FL-41788.13 SHEET 1 OF 10	

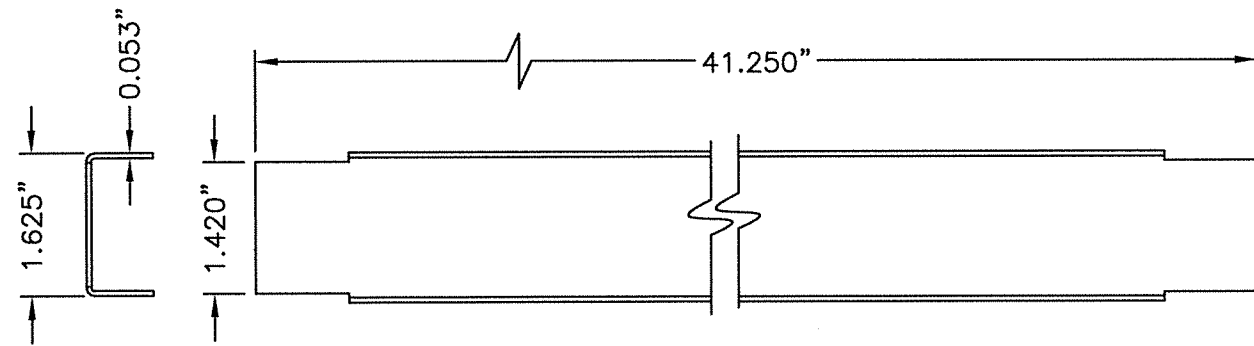
Z:\Clients\Premier Products PERMANENT\A - Florida Product Approvals\FL-41788\C - Drawings\FL-41788.11.13.15.dwg



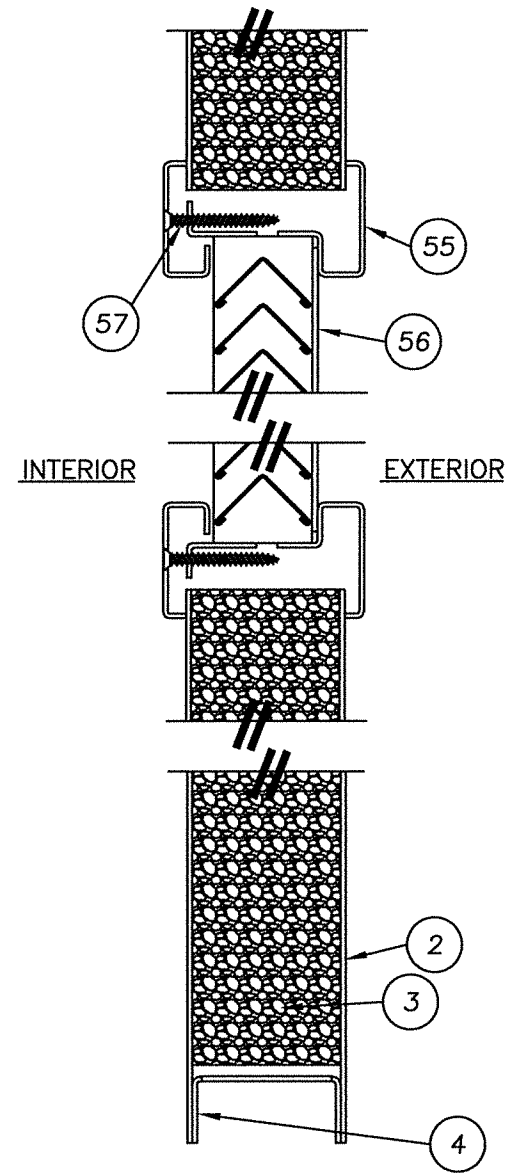
3 HORIZONTAL CROSS SECTION



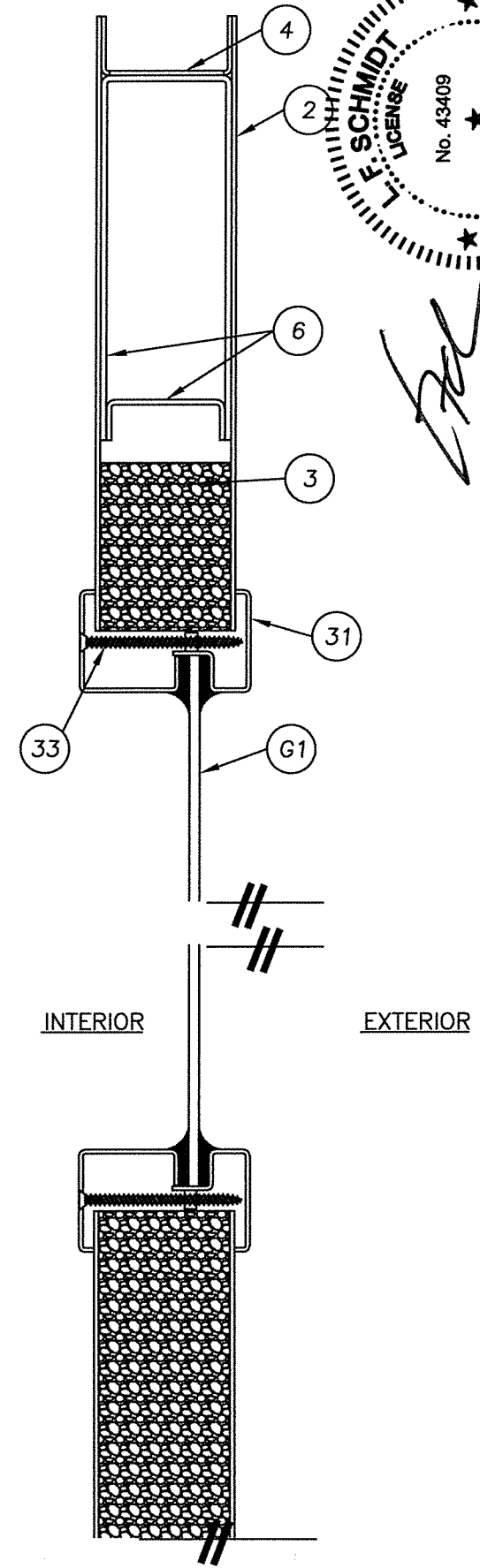
1 DOOR STILE EDGE REINFORCEMENT



4 DOOR TOP & BOTTOM CLOSER  
16GA. (.053) C.R.S.



1 VERTICAL CROSS SECTION



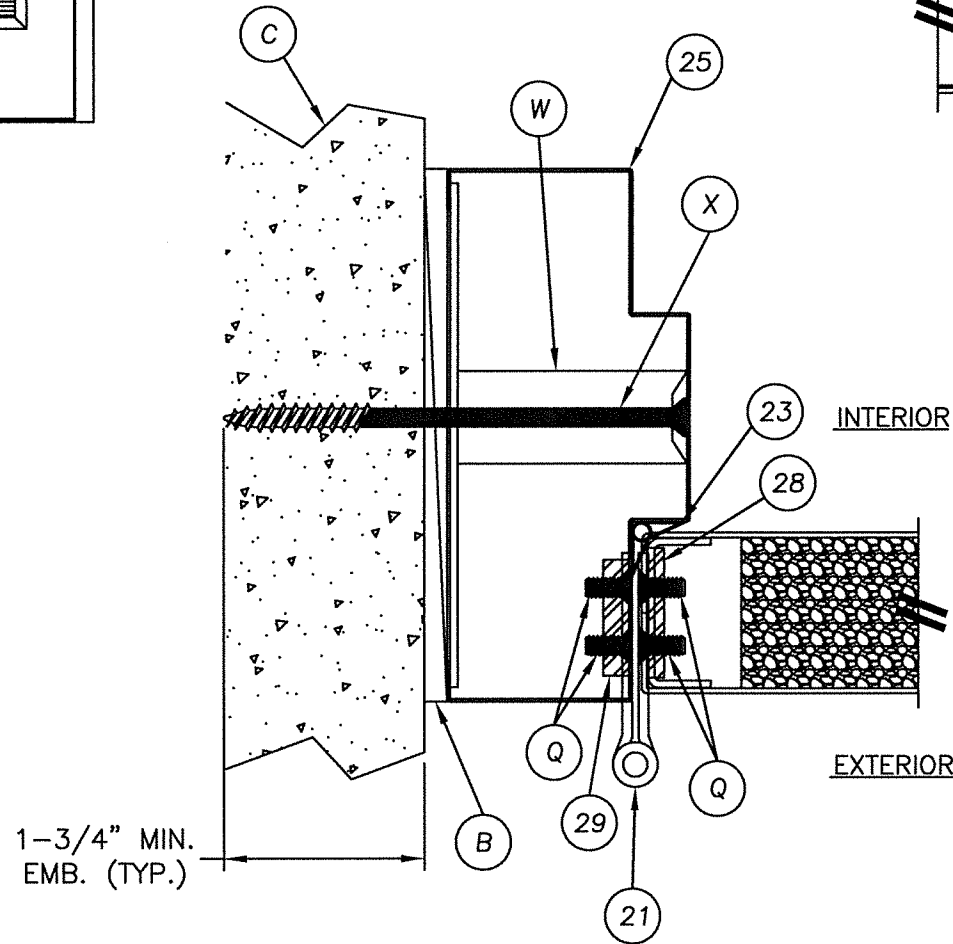
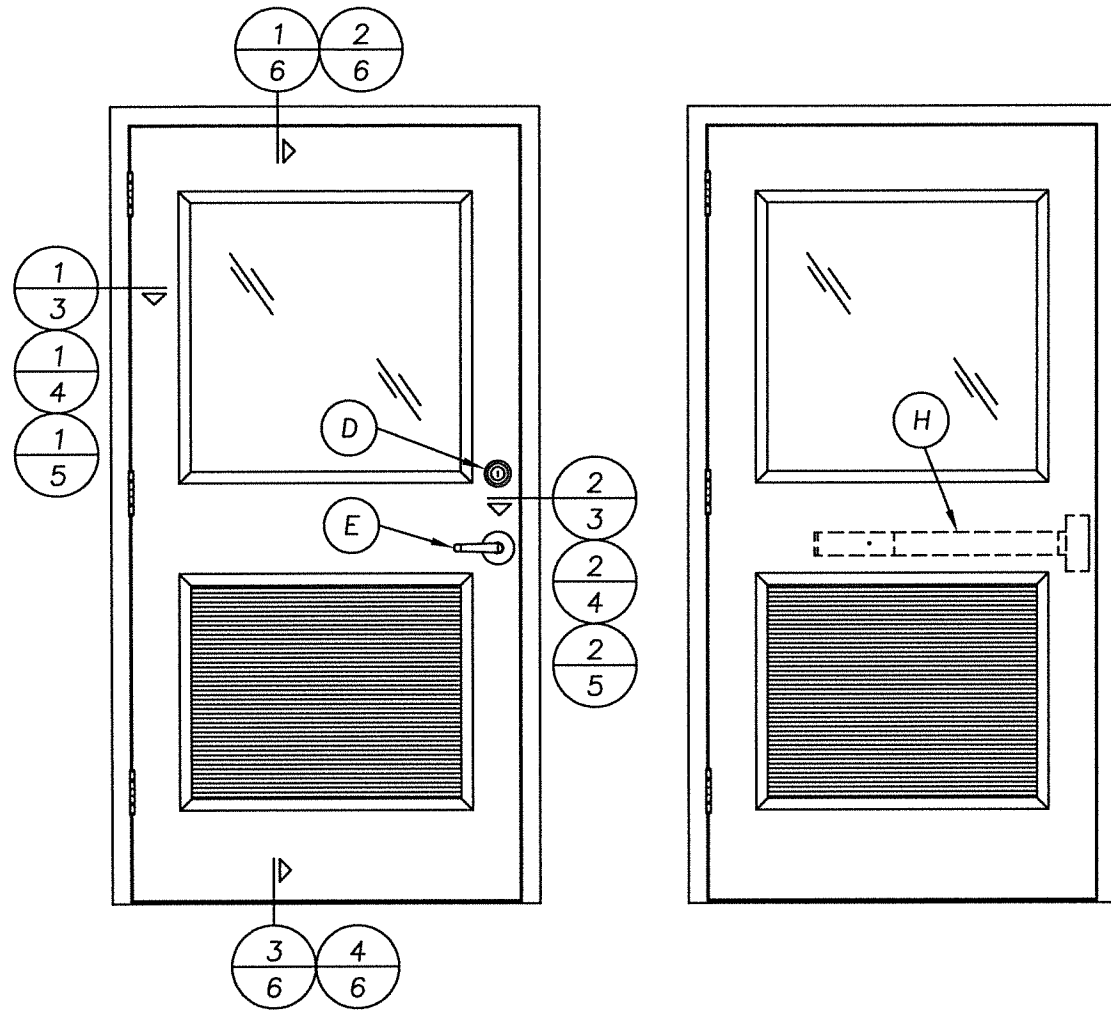
2 VERTICAL CROSS SECTION

November 15, 2022  
 Documents Prepared By:  
 Lyndon F. Schmidt  
 P.E. No. 43409  
 R.W. BUILDING CONSULTANTS, INC.  
 P.O. Box 230, Valrico, FL 33595  
 Phone No.: 813.659.9197  
 FBPE Registry No. 9813

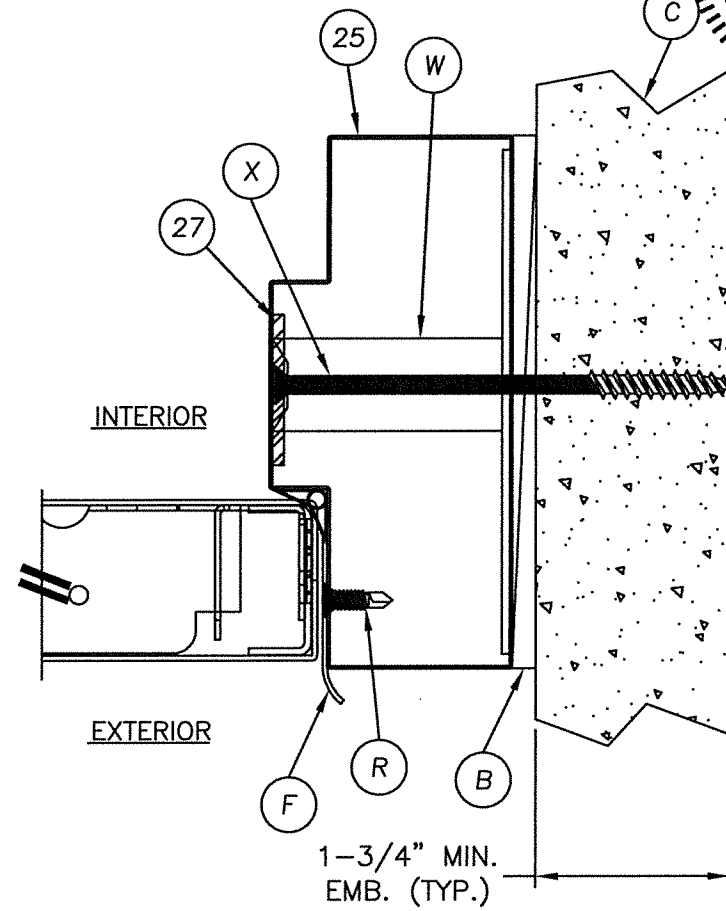
PRODUCT: PREMIER PRODUCTS, INC. "D" PANELS "NON-IMPACT"	
PART OR ASSEMBLY: DOOR PANEL DETAILS	
NO.	DATE
BY	
REVISIONS	
DATE: 11/10/22	
SCALE: N.T.S.	
DWG. BY: LFS	
CHK. BY: RW	
DRAWING NO.: FL-41788.13	
SHEET 2 OF 10	



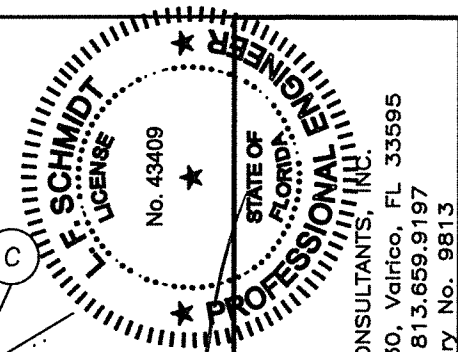
Z:\Clients\Premier Products PERMANENT\A - Florida Product Approvals\FL-41788C - Drawings\FL-41788.11.13.15.dwg



1 HORIZONTAL CROSS SECTION  
 @ HINGE  
 SHOWN WITH TUBE ANCHOR



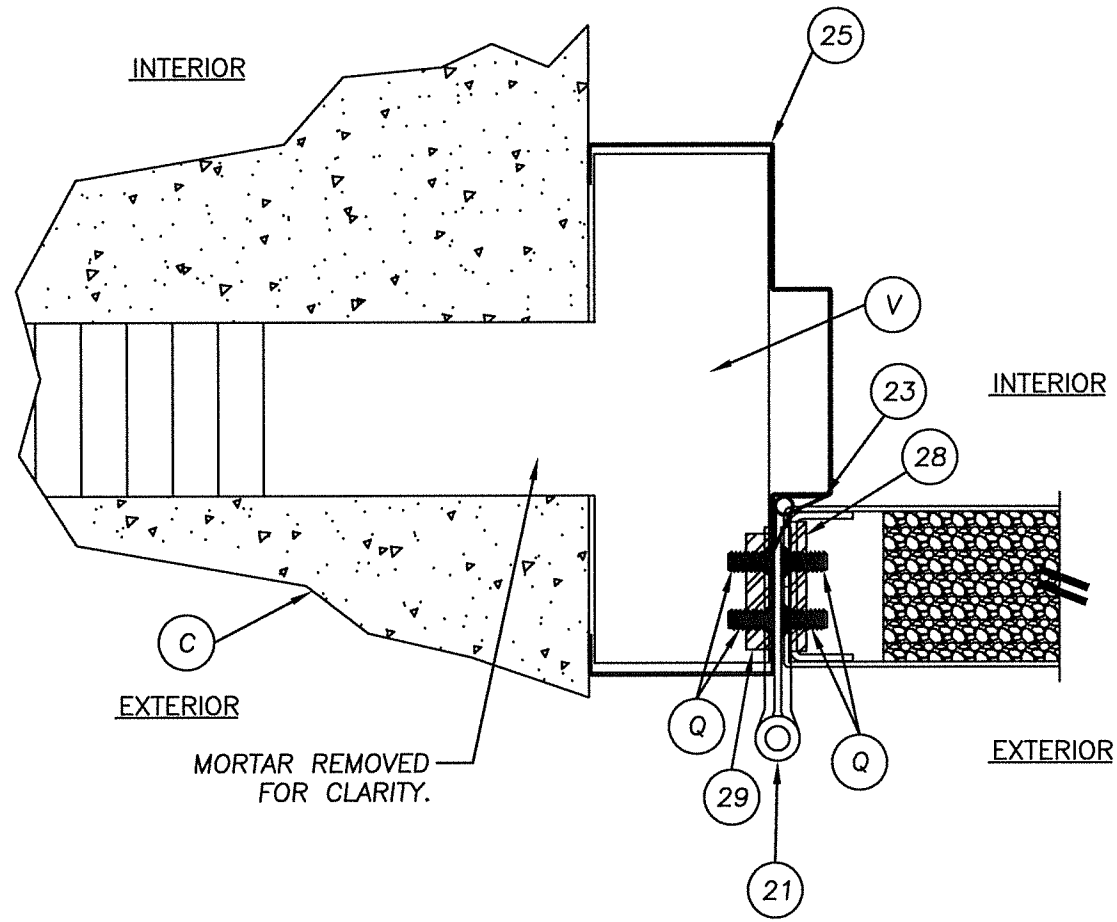
2 HORIZONTAL CROSS SECTION  
 @ HINGE  
 SHOWN WITH TUBE ANCHOR



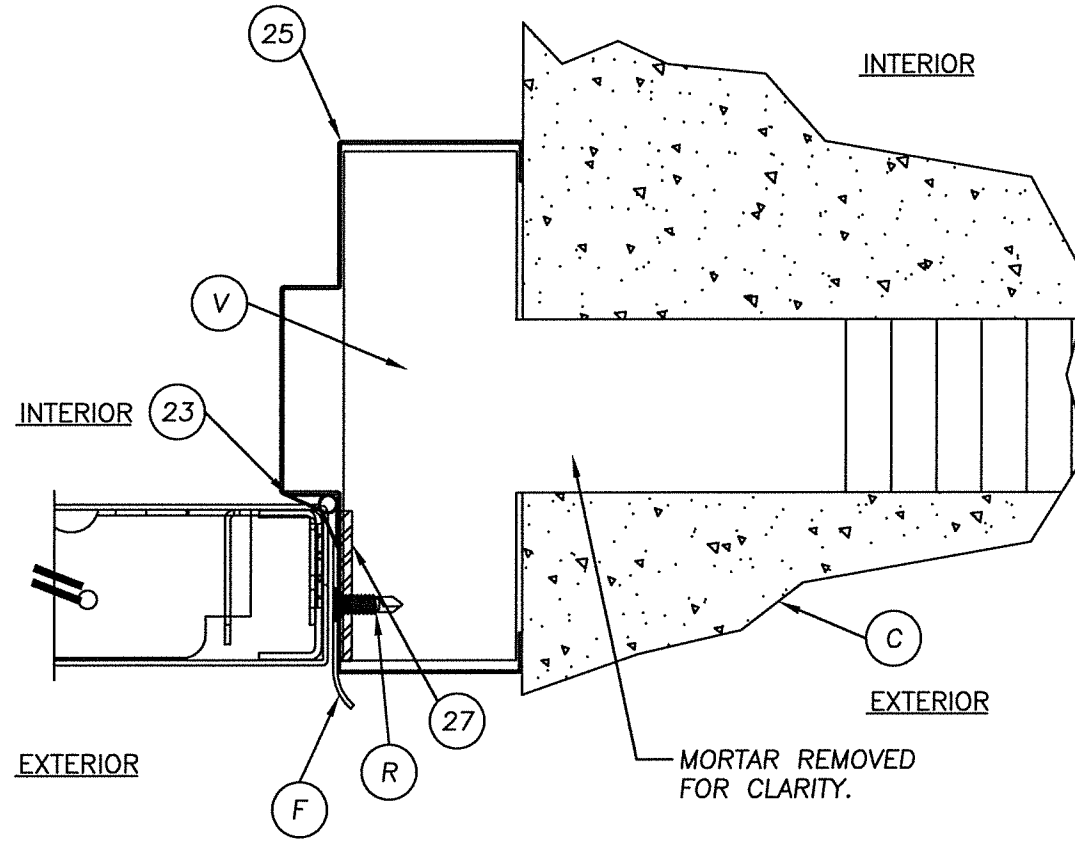
November 15, 2022  
 Documents Prepared By:  
 Lyndon F. Schmidt  
 P.E. No. 43409

RW  
 BUILDING CONSULTANTS, INC.  
 P.O. Box 230, Valrico, FL 33595  
 Phone No.: 813.659.9197  
 FBPE Registry No. 9813

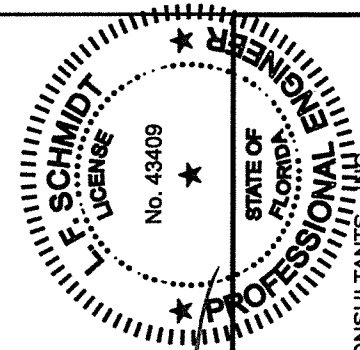
PRODUCT:		PREMIER PRODUCTS, INC.	
		"D" PANELS "NON-IMPACT"	
PART OR ASSEMBLY:		HORIZONTAL CROSS SECTIONS	
NO.	DATE	BY	REVISIONS
DATE:		11/10/22	
SCALE:		N.T.S.	
DWG. BY:		LFS	
CHK. BY:		RW	
DRAWING NO.:		FL-41788.13	
SHEET		3 OF 10	



1 HORIZONTAL CROSS SECTION  
 4 @ LATCH SHOWN WITH TEE ANCHOR



2 HORIZONTAL CROSS SECTION  
 4 @ LATCH SHOWN WITH TEE ANCHOR

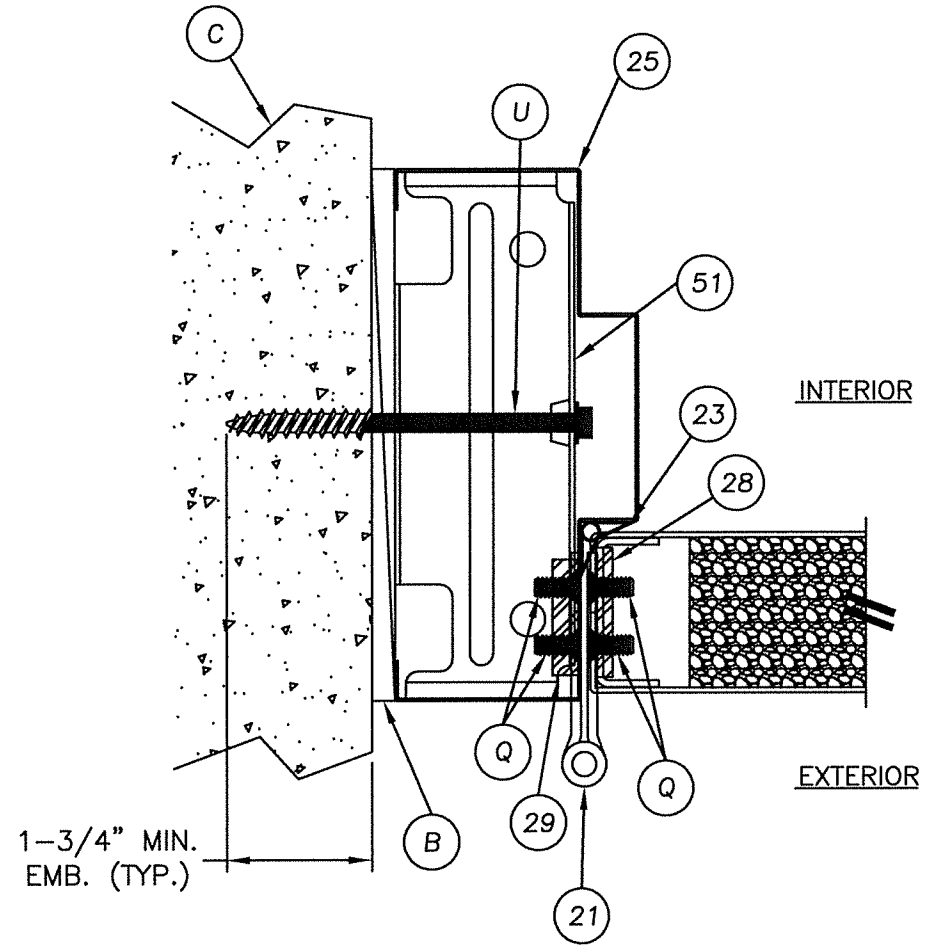


*[Signature]*

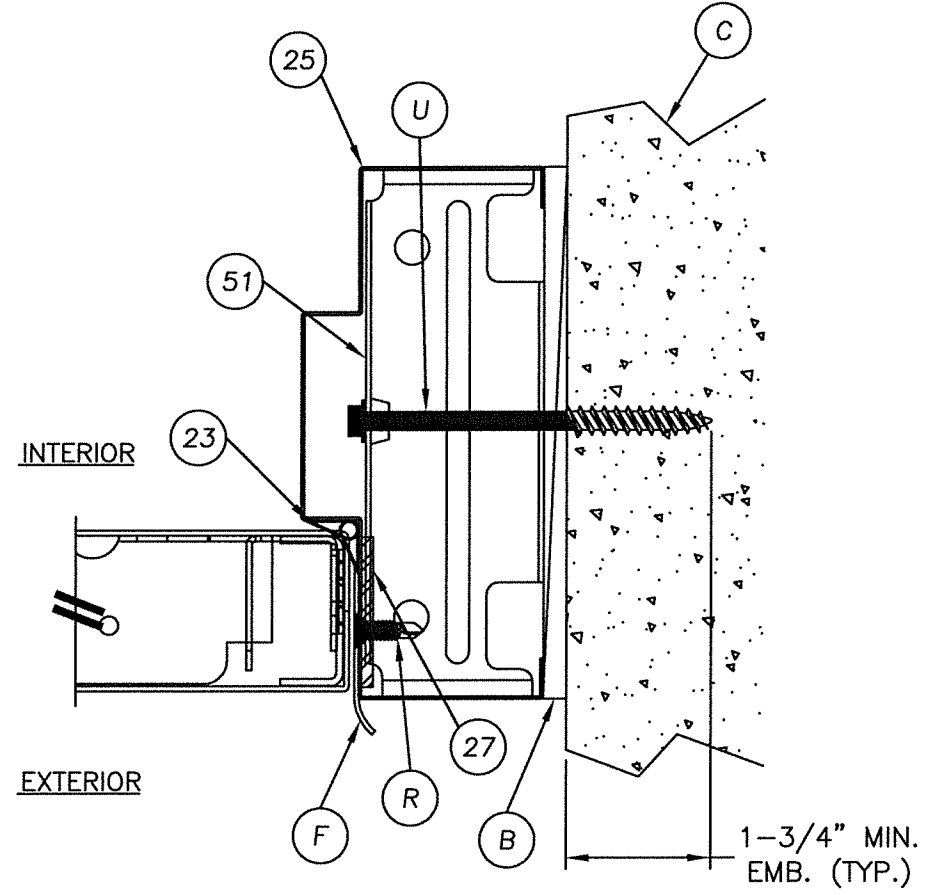
November 15, 2022  
 Documents Prepared By:  
 Lyndon F. Schmidt  
 P.E. No. 43409

**R.W.**  
 BUILDING CONSULTANTS, INC.  
 P.O. Box 230, Vairco, FL 33595  
 Phone No.: 813.659.9197  
 FBPE Registry No. 9813

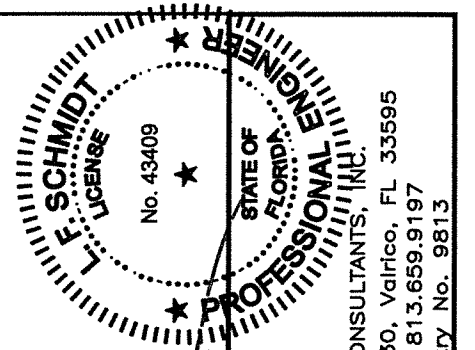
PRODUCT:		PREMIER PRODUCTS, INC.	
		"D" PANELS "NON-IMPACT"	
PART OR ASSEMBLY:		HORIZONTAL CROSS SECTIONS	
NO.	DATE	BY	REVISIONS
DATE: 11/10/22			
SCALE: N.T.S.			
DWG. BY: LFS			
CHK. BY: RW			
DRAWING NO.:		FL-41788.13	
SHEET 4 OF 10			



1 HORIZONTAL CROSS SECTION  
5 @ LATCH  
SHOWN WITH UNIVERSAL ANCHOR



2 HORIZONTAL CROSS SECTION  
5 @ LATCH  
SHOWN WITH UNIVERSAL ANCHOR



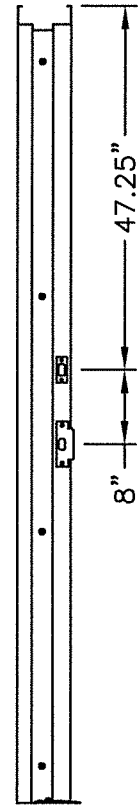
November 15, 2022  
 Documents Prepared By:  
 Lyndon F. Schmidt  
 P.E. No. 43409

*RW*  
 BUILDING CONSULTANTS, INC.  
 P.O. Box 230, Vairico, FL 33595  
 Phone No.: 813.659.9197  
 FBPE Registry No. 9813

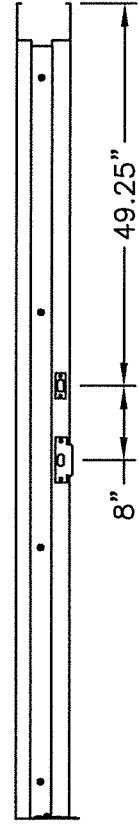
PRODUCT: PREMIER PRODUCTS, INC. "D" PANELS "NON-IMPACT"	
PART OR ASSEMBLY: HORIZONTAL CROSS SECTIONS	
NO.	DATE
BY	REVISIONS
DATE: 11/10/22	
SCALE: N.T.S.	
DWG. BY: LFS	
CHK. BY: RW	
DRAWING NO.: FL-41788.13	
SHEET 5 OF 10	



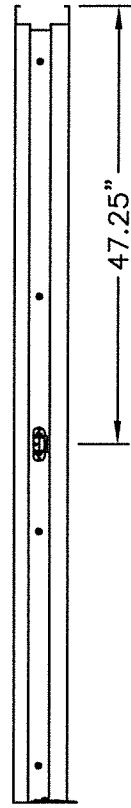




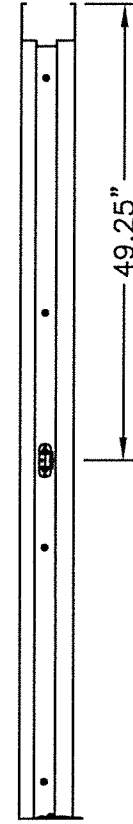
STRIKE PLATE  
LOCATIONS 2" HEAD



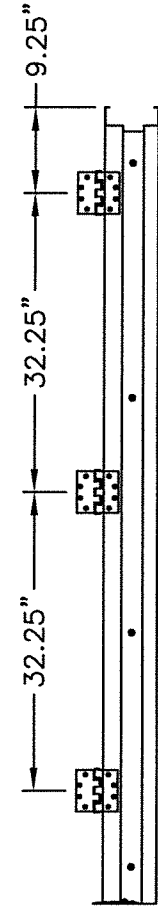
STRIKE PLATE  
LOCATIONS 4" HEAD



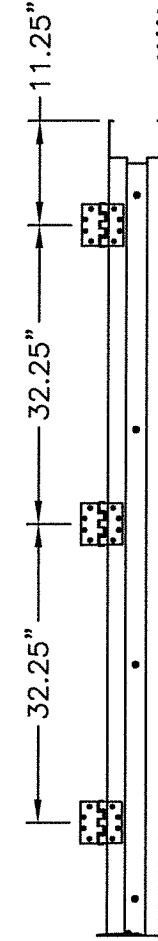
STRIKE PLATE  
LOCATION 2" HEAD



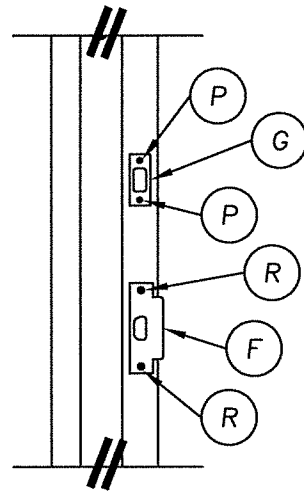
STRIKE PLATE  
LOCATION 4" HEAD



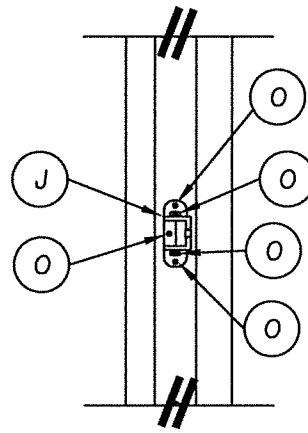
HINGE LOCATIONS  
2" HEAD



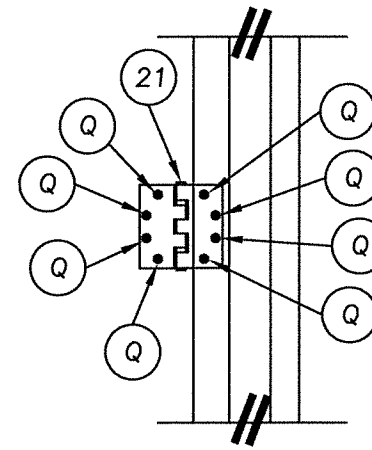
HINGE LOCATIONS  
4" HEAD



STRIKE PLATE DETAIL  
ANSI STRIKE & DEADBOLT



RIM STRIKE DETAIL



HINGE DETAIL

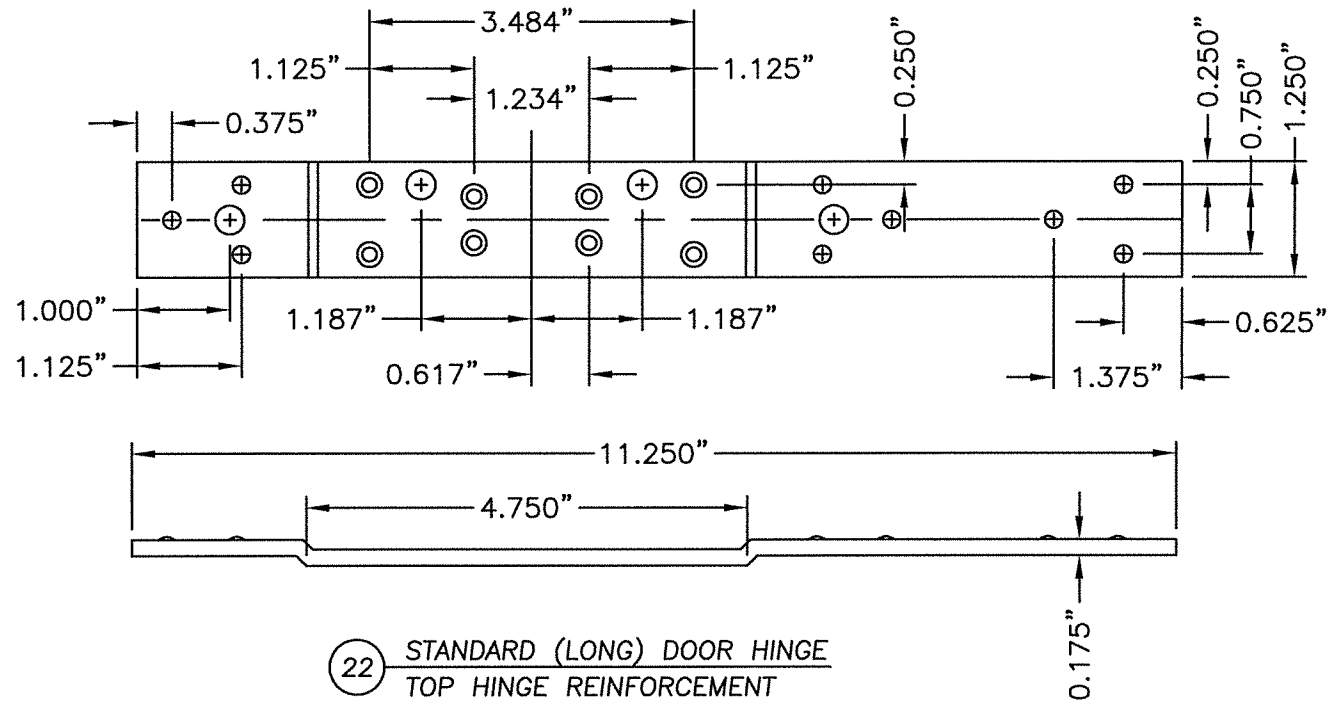
F. SCHMIDT  
 LICENSE No. 43409  
 STATE OF FLORIDA  
 PROFESSIONAL ENGINEER

November 15, 2022  
 Documents Prepared By:  
 Lyndon F. Schmidt  
 P.E. No. 43409

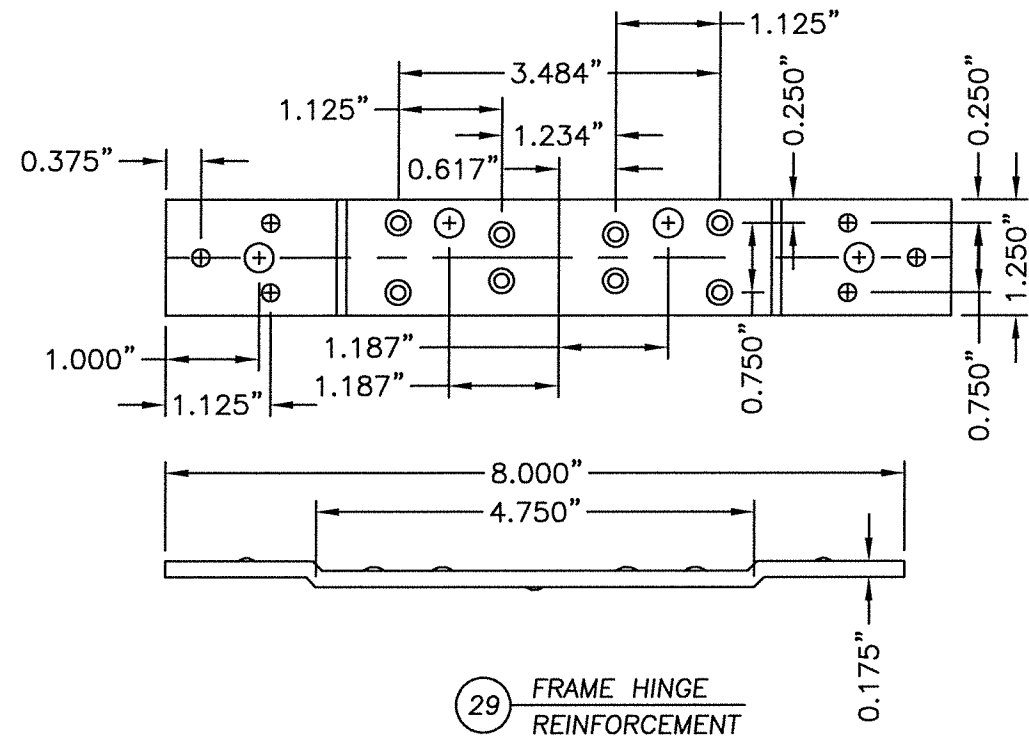
*RW*  
 BUILDING CONSULTANTS, INC.  
 P.O. Box 230, Vairico, FL 33595  
 Phone No.: 813.659.9197  
 FBPE Registry No. 9813

PRODUCT: PREMIER PRODUCTS, INC. "D" PANELS "NON-IMPACT"	
PART OR ASSEMBLY: ANCHORING DETAILS	
NO.	DATE
BY	REVISIONS
DATE: 11/10/22 SCALE: N.T.S. DWG. BY: LFS CHK. BY: RW DRAWING NO.: FL-41788.13 SHEET 8 OF 10	

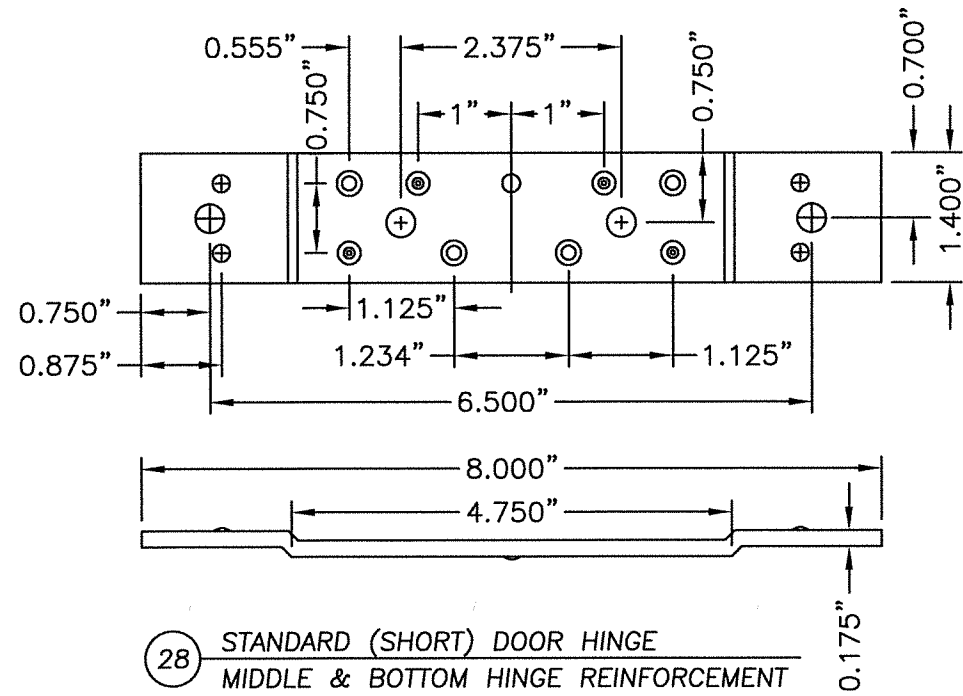




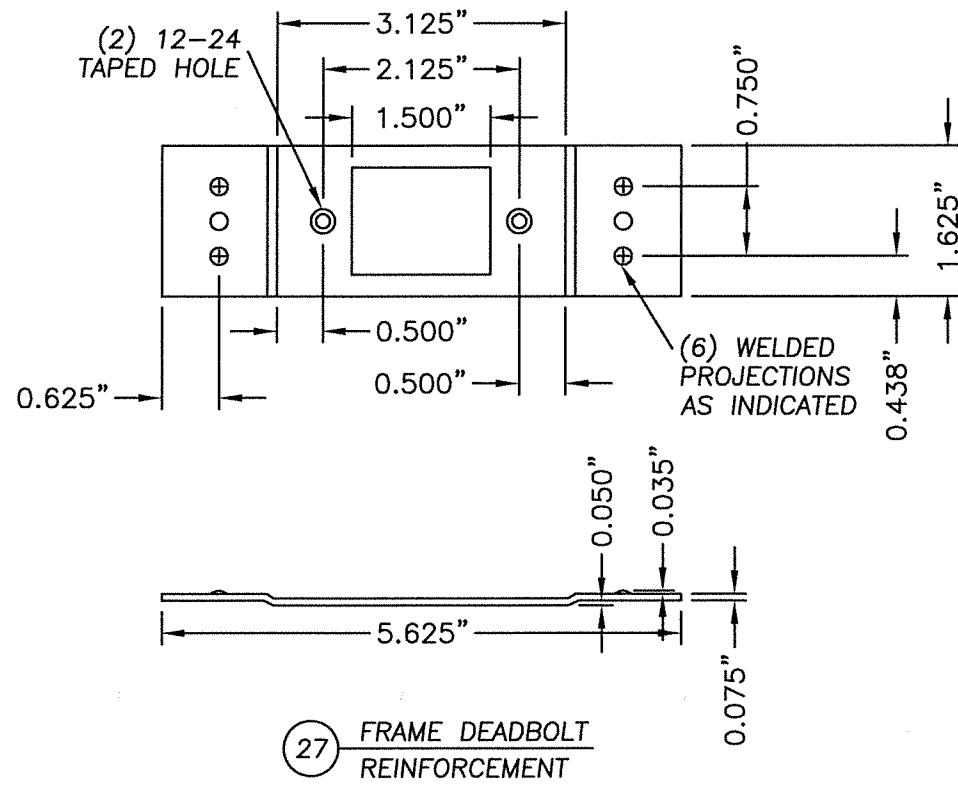
22 STANDARD (LONG) DOOR HINGE  
TOP HINGE REINFORCEMENT



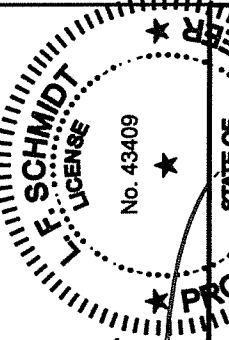
29 FRAME HINGE  
REINFORCEMENT



28 STANDARD (SHORT) DOOR HINGE  
MIDDLE & BOTTOM HINGE REINFORCEMENT



27 FRAME DEADBOLT  
REINFORCEMENT

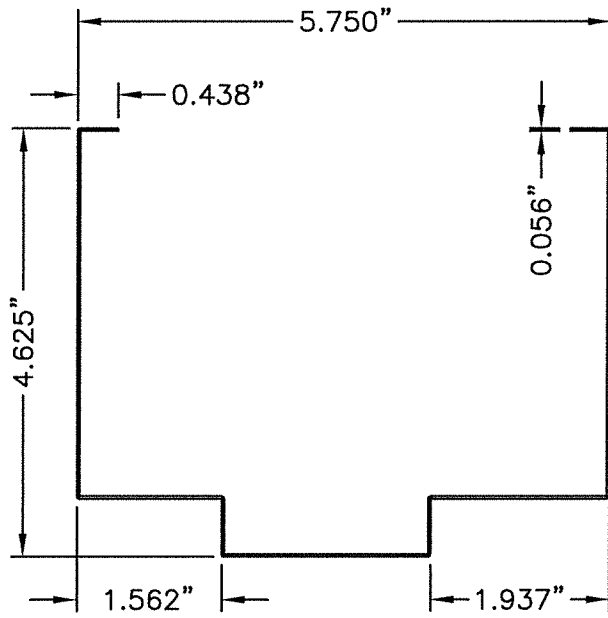
  
 No. 43409  
 STATE OF FLORIDA  
 PROFESSIONAL ENGINEER

November 15, 2022  
 Documents Prepared By:  
 Lyndon F. Schmidt  
 P.E. No. 43409

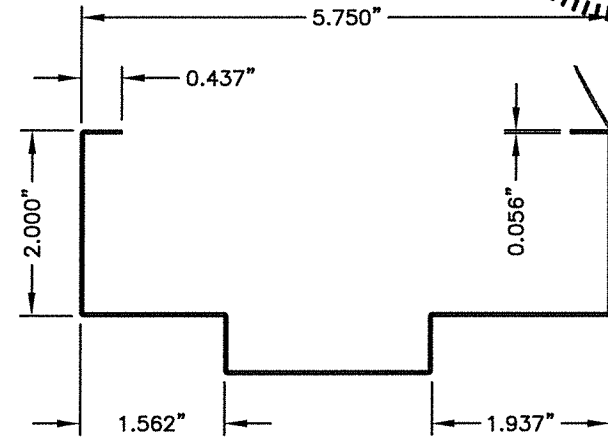
*RW*  
 BUILDING CONSULTANTS, INC.  
 P.O. Box 230, Valrico, FL 33595  
 Phone No.: 813.659.9197  
 FBPE Registry No. 9813

PRODUCT:		PREMIER PRODUCTS, INC.	
		"D" PANELS "NON-IMPACT"	
PART OR ASSEMBLY:		COMPONENTS	
NO.	DATE	BY	REVISIONS
DATE: 11/10/22		SCALE: N.T.S.	
DWG. BY: LFS		CHK. BY: RW	
DRAWING NO.: FL-41788.13		SHEET 9 of 10	

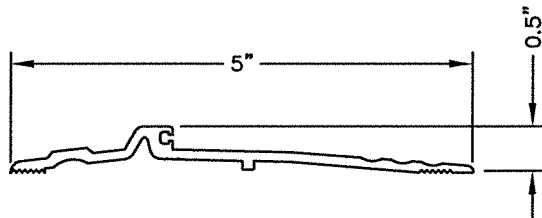
BILL OF MATERIALS		
ITEM	DESCRIPTION	MATERIAL
B	1/4" MAX. SHIM SPACE	WOOD
C	3,000 PSI MIN. CONCRETE CONFORMING TO ACI 301 OR HOLLOW BLOCK CONFORMING TO ASTM C90	CONCRETE
D	DESIGN HARDWARE D-2 SERIES DEADBOLT	STEEL
E	DESIGN HARDWARE X-SERIES LATCH (161 PREP)	STEEL
F	LATCH STRIKE PLATE	BRASS
G	DEADBOLT STRIKE PLATE	STEEL
H	VON DUPRIN 99 SERIES RIM PANIC HARDWARE	STEEL
J	RIM PANIC STRIKE PLATE	STEEL
O	#12 X 1" H.H. SELF TAPPING SCREW	STEEL
P	#8 X 3/4" PFH SCREW	STEEL
Q	#12 X 1/2" MACHINE SCREW	STEEL
R	#12 X 3/4" PFH SELF TAPPING MACHINE SCREW	STEEL
T	1/4" X 2-1/4" PFH DeWALT OR ITW CONCRETE SCREW	STEEL
U	5/16" X 4" HWH DeWALT OR ITW CONCRETE SCREW	STEEL
V	MASONRY 'TEE' ANCHOR (PFMT5)	STEEL
W	TUBE ANCHOR	STEEL
X	5/16" X 5" PFH DeWALT OR ITW CONCRETE SCREW	STEEL
1	DOOR STILE EDGE REINFORCEMENT	STEEL
2	DOOR SKIN 16GA (0.055" THK. STEEL, Fy = 40,317 PSI MIN.)	STEEL
3	FOAM (D DOOR) 1.0 PCF MIN. DENSITY	POLYSTYRENE
4	DOOR TOP & BOTTOM CLOSER	STEEL
5	LOCK BOX REINFORCEMENT	STEEL
6	CLOSER REINFORCEMENT	STEEL
21	HINGE	STEEL
22	STD. (LONG) DOOR HINGE REIN. (TOP HINGE PDLNHR 450)	STEEL
23	WEATHERSTRIP	FOAM
24	THRESHOLD WEATHERSTRIP (NATIONAL GUARD PRODUCTS, INC. ITEM #33)	VINYL
25	FRAME 5-3/4" MIN. WITH 2" HEAD	STEEL
26	FRAME 5-3/4" MIN. WITH 4" HEAD	STEEL
27	14GA. (.075") C.R.S. 161 DEADBOLT FRAME REINFORCEMENT (PFDBR4)	STEEL
28	STD. (SHORT) DOOR HINGE REIN.(MIDDLE & BOTTOM) PDNHR450)	STEEL
29	STD. 4-1/2" FRAME HINGE REINFORCEMENT 7GA.(.175" PF4HR)	STEEL
31	LITE FRAME	STEEL
33	#6 X 2" PFH SCREW	STEEL
34	TREMCO SPECTREM II GLAZING COMPOUND	SILICONE
40	OUTSWING THRESHOLD NATIONAL GUARD PRODUCTS, INC. #896	ALUMINUM
41	OUTSWING THRESHOLD NATIONAL GUARD PRODUCTS, INC. #950	ALUMINUM
42	OUTSWING THRESHOLD PEMKO #2005 V	ALUMINUM
44	95WHA DOOR SWEEP NATIONAL GUARD PRODUCTS, INC.	ALUMINUM
51	FRAME REINFORCEMENT	STEEL
55	LOUVER FRAME	STEEL
56	LOUVER PANEL	STEEL
57	#6 X 1-1/4" PFH SCREW	STEEL



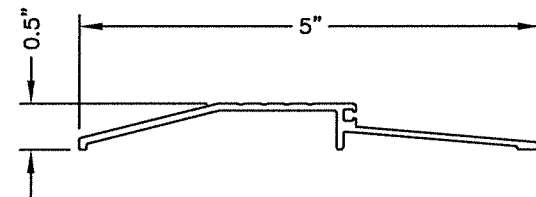
26 FRAME



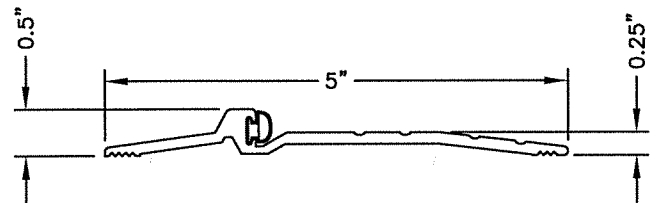
25 FRAME



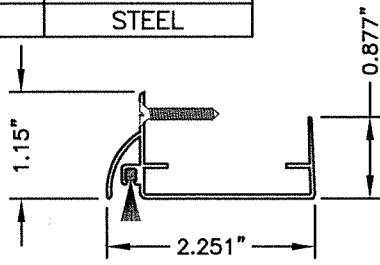
40 THRESHOLD



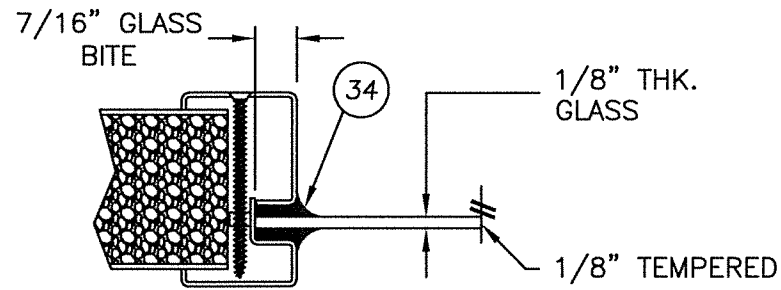
41 THRESHOLD



42 THRESHOLD



44 SWEEP



G1 GLAZING DETAIL  
9/16" MONOLITHIC GLASS

**PROFESSIONAL ENGINEER**  
 L. F. SCHMIDT  
 LICENSE No. 43409  
 STATE OF FLORIDA

November 15, 2022

Building Consultants, Inc.  
 P.O. Box 230, Valrico, FL 33595  
 Phone No.: 813.659.9197  
 FBPE Registry No. 9813

Documents Prepared By:  
 Lyndon F. Schmidt  
 P.E. No. 43409

PRODUCT:	PREMIER PRODUCTS, INC. "D" PANELS "NON-IMPACT"
PART OR ASSEMBLY:	BILL OF MATERIALS, GLAZING DETAIL & COMPONENTS
BY	
NO.	DATE
DATE:	11/10/22
SCALE:	N.T.S.
DWG. BY:	LFS
CHK. BY:	RW
DRAWING NO.:	FL-41788.13
SHEET	10 OF 10